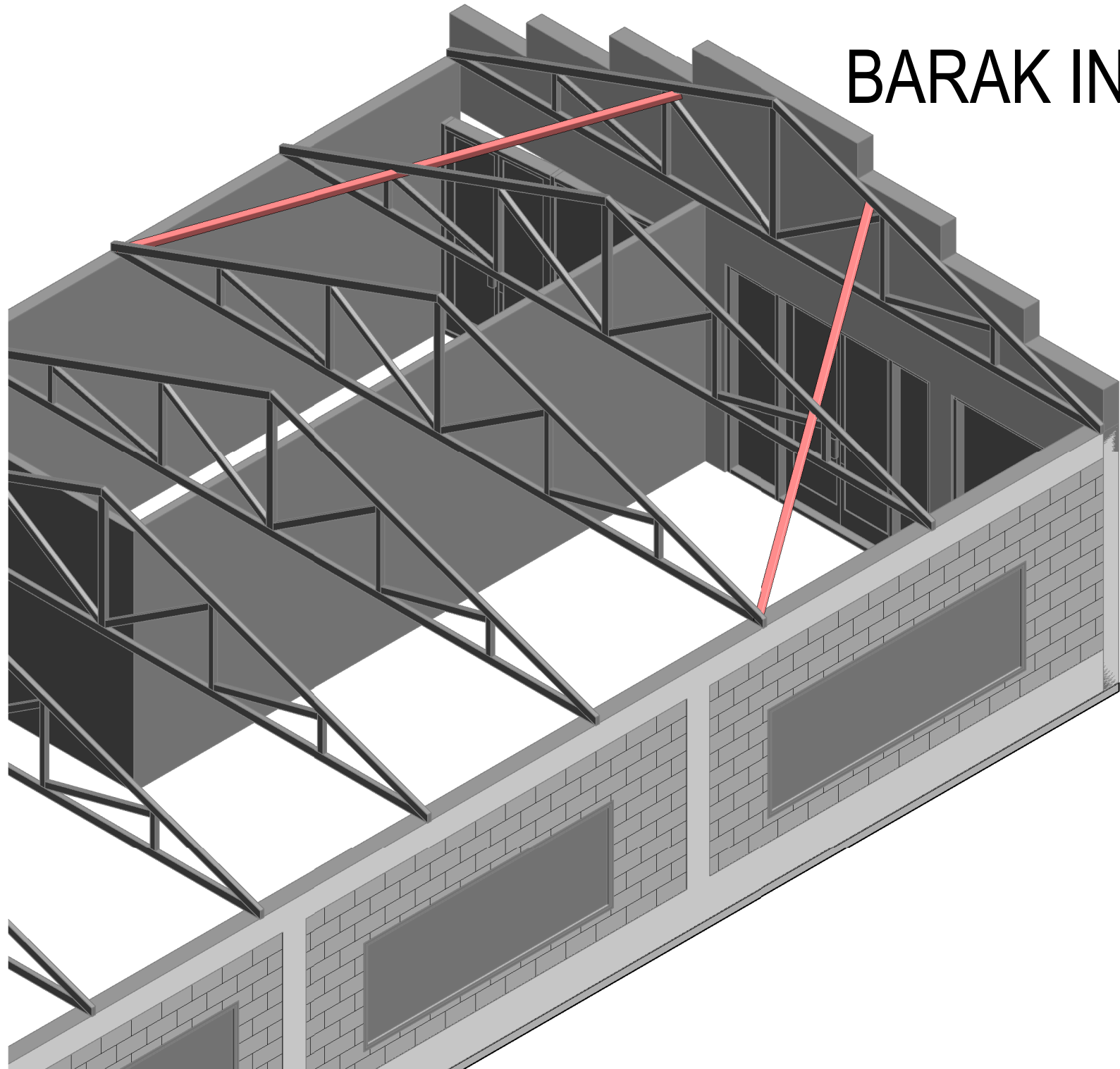


SEISMIC STRENGTHENING TO 70% NBS

9 WILLIAMS Rd, PAIHIA

for

BARAK INVESTMENTS Ltd



Sheet List		
Sheet Number	Revision	Sheet Name
000		Cover Sheet
110		Elevations
120		Typical Section
310		Roof Framing Plan
350		Details

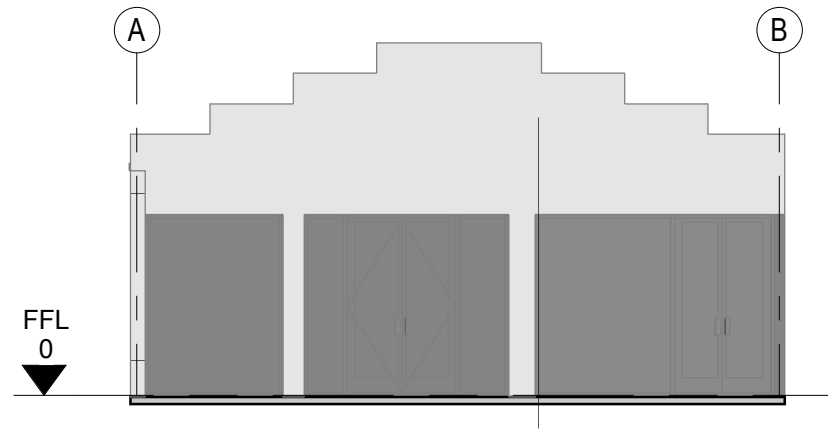
REVDATE DESCRIPTION

CLIENT
Barak Investments Ltd
 PROJECT ADDRESS
9 Williams Rd, Paihia

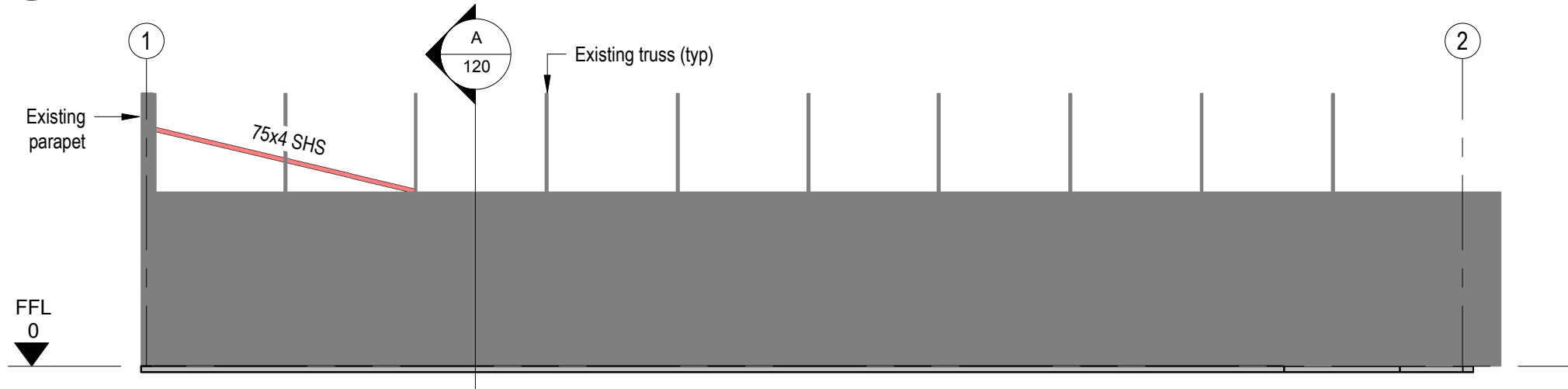
Seismic Strengthening to 70% NBS
 Cover Sheet

Structural Concepts

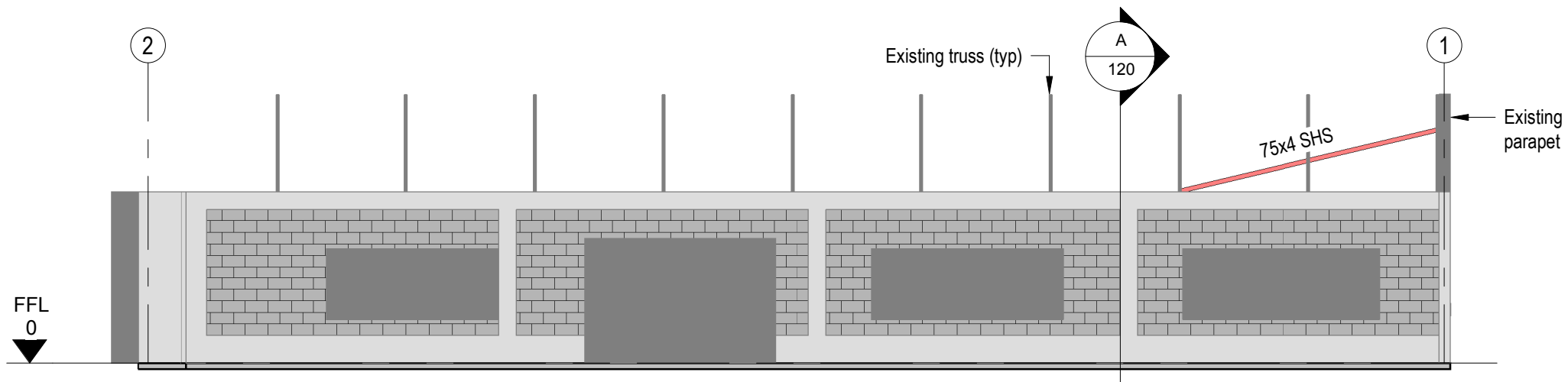
SCL NUMBER
3181-9223
 SHEET REV
000



1 Elevation A
310 1: 100 @ A3



2 Elevation B
310 1: 100 @ A3



3 Elevation C
310 1: 100 @ A3

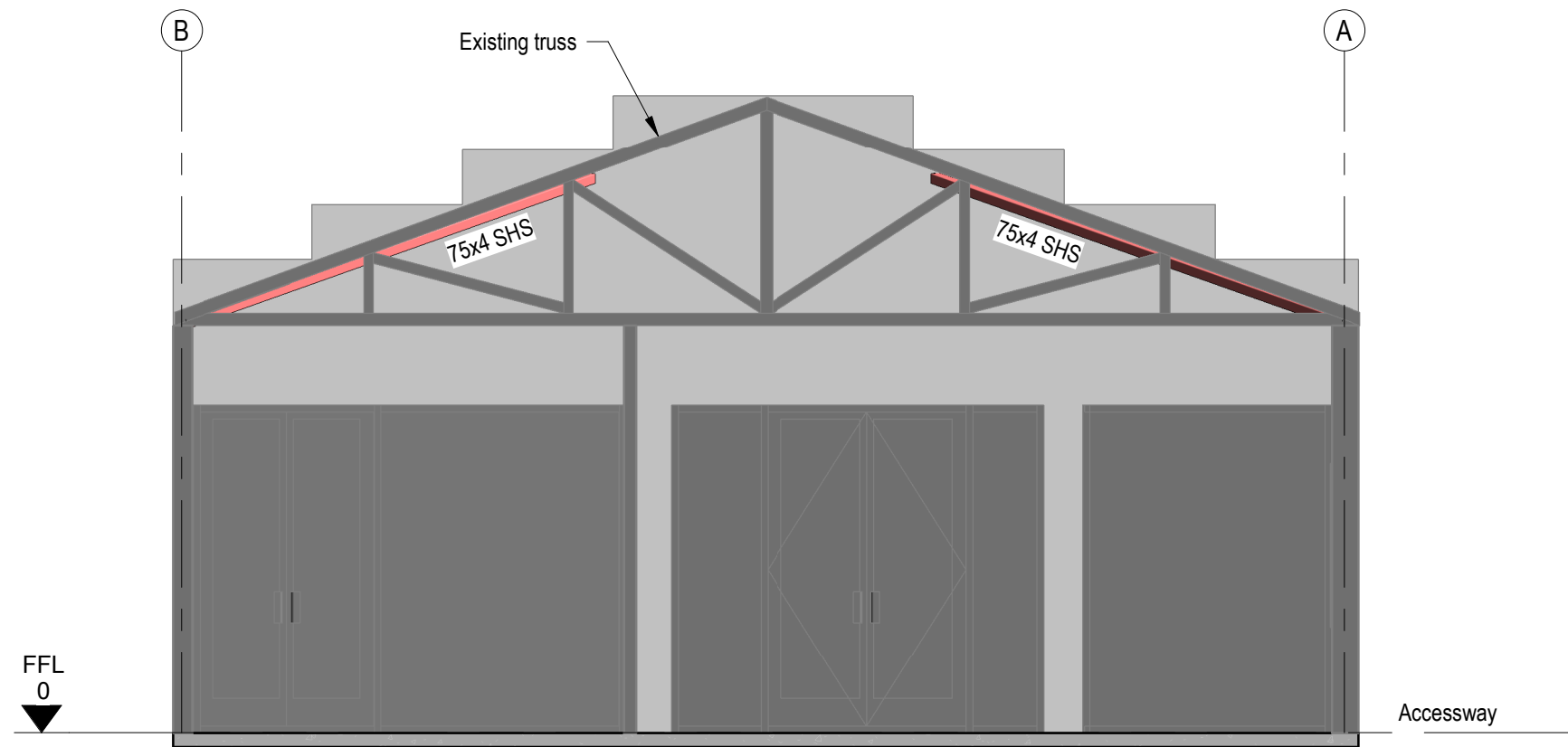
CLIENT
Barak Investments Ltd
PROJECT ADDRESS
9 Williams Rd, Paihia

Seismic Strengthening to 70% NBS Elevations

SCL NUMBER
3181-9223
SHEET REV
110

emajineer
the construction engineers
Structural Concepts

REVDATE DESCRIPTION



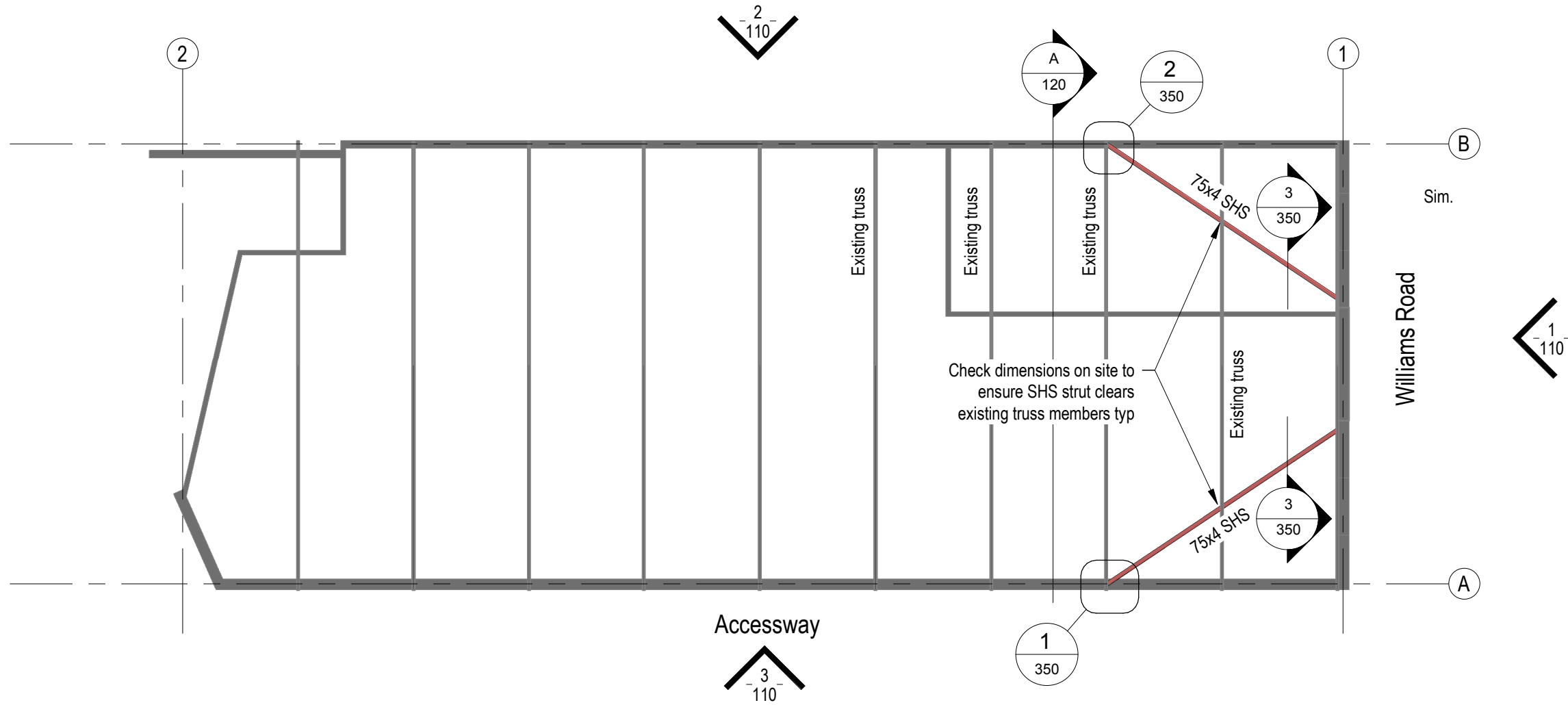
A Typical Section
110 1:50 @ A3

REVDATE DESCRIPTION

CLIENT
Barak Investments Ltd
PROJECT ADDRESS
9 Williams Rd, Paihia

Seismic Strengthening to 70% NBS
Typical Section

emajineer
Structural Concepts
SCL NUMBER
3181-9223
SHEET REV
120



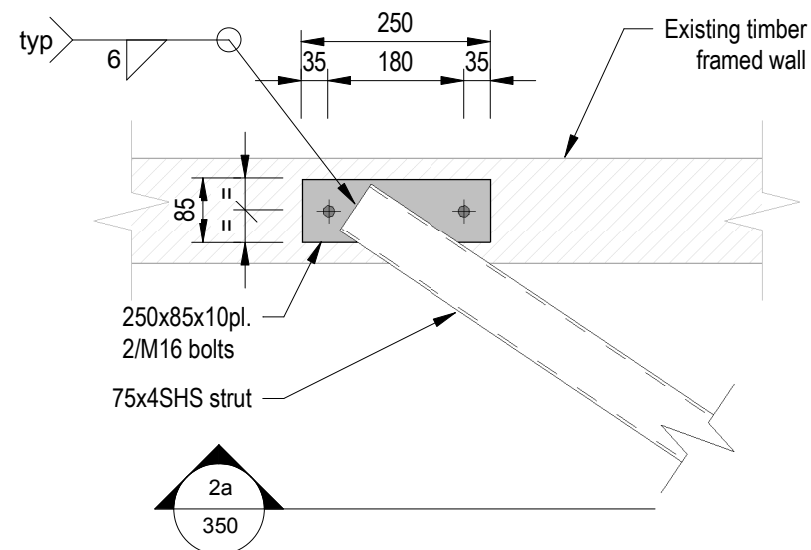
Roof Framing Plan
1:100 @ A3

REVDATE DESCRIPTION

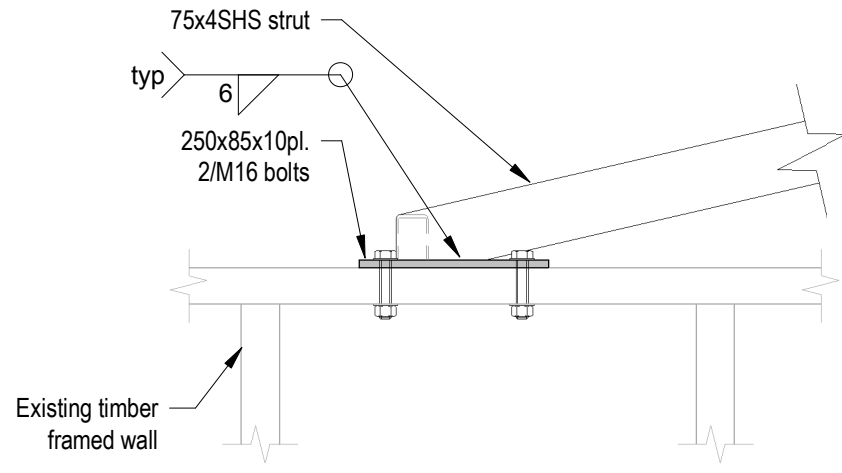
CLIENT
Barak Investments Ltd
PROJECT ADDRESS
9 Williams Rd, Paihia

Seismic Strengthening to 70% NBS
Roof Framing Plan

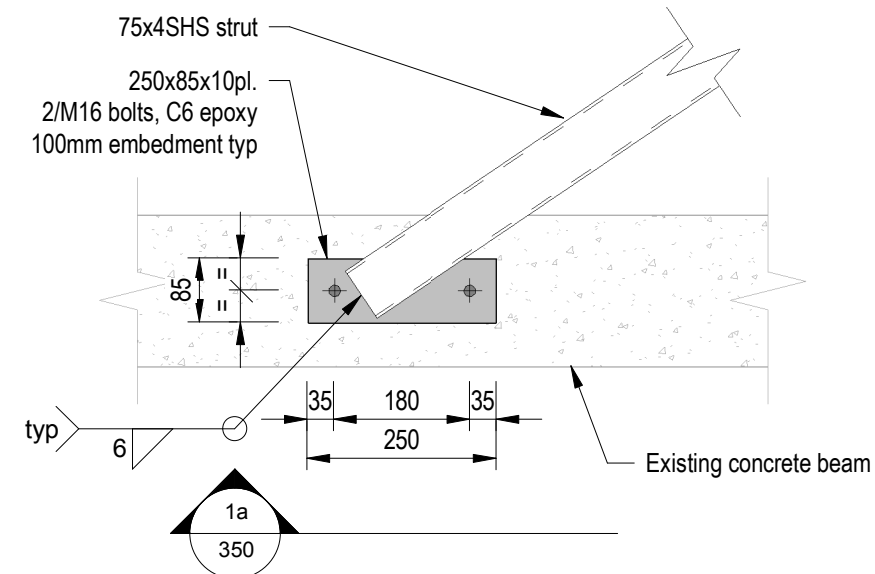
emajineer
the construction engineers
Structural Concepts 310
SCL NUMBER
3181-9223
SHEET REV



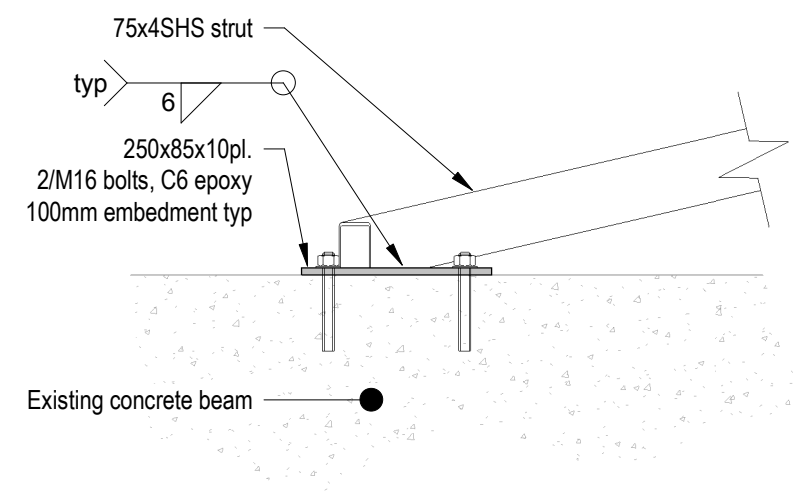
2 SHS Connection to Timber Framed Wall
310 1: 10 @ A3



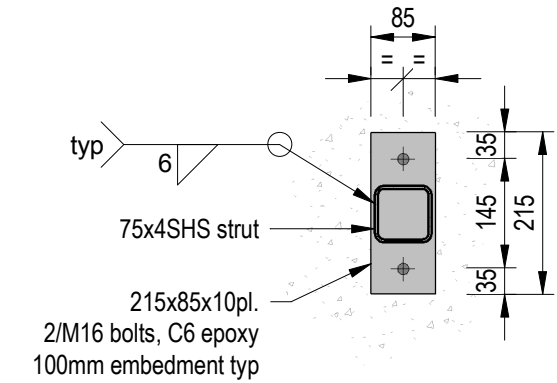
2a SHS Connection Elevation 2
350 1: 10 @ A3



1 SHS Connection to Concrete Beam
310 1: 10 @ A3



1a SHS Connection Elevation 1
350 1: 10 @ A3



3 SHS Connection to Parapet
310 1: 10 @ A3